

# The Johns Hopkins University 2003 Chinese-English Machine Translation System

W. Byrne, S. Khudanpur, W. Kim, S. Kumar\*, P. Pecina, P. Virga, P. Xu and D. Yarowsky,  
Center for Language and Speech Processing, Johns Hopkins University,  
3400 North Charles Street, Baltimore, MD, 21218, USA

## Abstract

We describe a Chinese to English Machine Translation system developed at the Johns Hopkins University for the NIST 2003 MT evaluation. The system is based on a Weighted Finite State Transducer implementation of the alignment template translation model for statistical machine translation. The baseline MT system was trained using 100,000 sentence pairs selected from a static bitext training collection. Information retrieval techniques were then used to create specific training collections for each document to be translated. This document-specific training set included bitext and name entities that were then added to the baseline system by augmenting the library of alignment templates. We report translation performance of baseline and IR-based systems on two NIST MT evaluation test sets.

## 1 Alignment Template Translation Model

We first give an outline of the Alignment Template Translation Model (ATTM) (Och et al., 1999) for statistical machine translation. The overall model is based on a two-level alignment between the source and the target sentence: a phrase-level alignment between source and target phrases and a word-level alignment between words in these phrase pairs implemented via individual alignment templates. The ATTM has been reformulated (Kumar and Byrne, 2003) so that both bitext word alignment and translation can be implemented using standard weighted finite state transducer (WFST) operations available from an AT&T FSM toolkit (Mohri et al., 1997).

The ATTM architecture is presented in Figure 1. The components of the overall translation model are the source language model, the source segmentation model, the phrase permutation model, the template sequence model, the phrasal translation model and the target language model. Each of these conditional distributions is modeled independently and implemented as a weighted finite state acceptor or transducer (Kumar and Byrne, 2003). In the implementation here, the ATTM maps Chinese word sequences to a sequence of English word classes, which are then mapped to English sentences.

\*Corresponding author (email: skumar@jhu.edu). This work was supported by an ONR MURI grant N00014-01-1-0685.

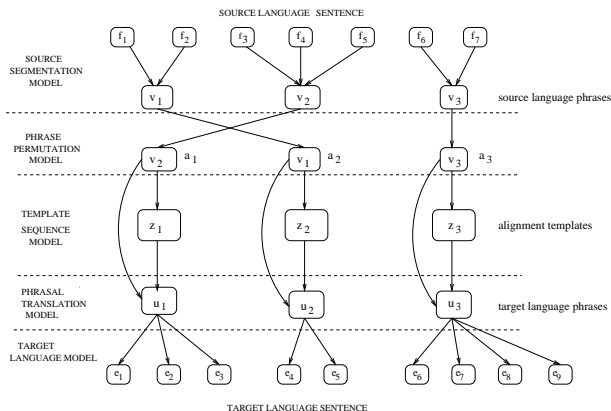


Figure 1: ATTM Architecture.

## 2 Training and Test Data Sources

### 2.1 Bitext Training Data

Our bitext training set consisted of parallel corpora taken from 7 sources. These sources were the Chinese Treebank English parallel corpus, FBIS parallel text, Hong Kong News Parallel Text, Hong Kong Hansards Parallel Text, Sinorama Parallel Text, the United Nations Parallel Text and Xinhua Parallel News Text. All the sources are available from the LDC (NIST, 2003), and summarized in Table 1.

### 2.2 Test sets

Our test corpora consisted of two sets (NIST, 2003). The first corpus is the NIST MT 2001 dry-run test set (Dev02) consisting of 25 documents and 206 sentences. The second corpus is the Zaobao-news portion of the NIST MT 2002 evaluation set (ZBN-Eval02) consisting of 30 documents and 332 sentences. Both test sets contained four reference translations per Chinese source sentence. The statistics from the test sets are summarized in Table 1.

## 3 The Baseline System

### 3.1 Bitext Training Data

In building our baseline system, the FBIS Chinese-English parallel text (NIST, 2003) was used as the bitext training data. Since the FBIS data is aligned at the document level, we performed sentence alignment for each document pair using an aligner developed during WS'01 (Section 2.2.4 of (JHU, 2001)). Several successive filtering steps were implemented to deal with var-

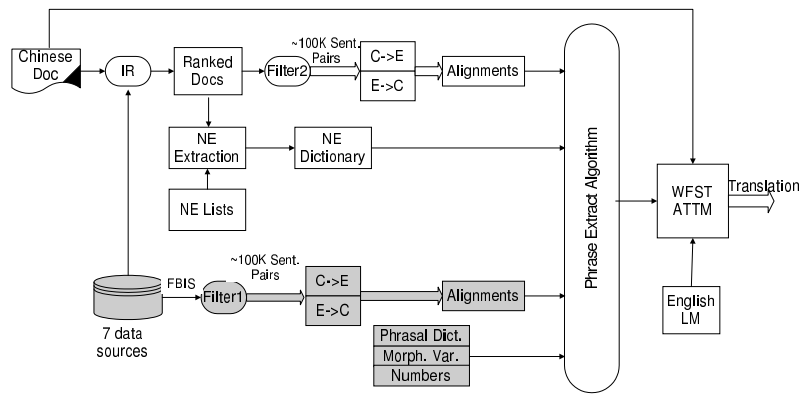


Figure 2: Block Diagram of the Baseline and IR systems. The shaded portion indicates the processing common to both systems.

ious issues related to the baseline system. First of all, the quality of the aligner output was not uniformly good. We treated each sentence pair as two bags of words and computed the average precision and recall of Chinese-English word pair co-occurrence in a sentence pair, based on the LDC Chinese English Translation Lexicon (versions 2 and 3) (LDC, 2002). All sentence pairs were then ranked according to this score (*Filter1*). Secondly, we used a English text normalization tool developed during WS’99 (JHU, 1999) to normalize the English text. The Chinese text was then segmented by the LDC segmenter (LDC, 2002). Finally, to speed up the translation model training, we put a length constraint to discard all sentence pairs in which either sentence is longer than 100 words. After all the steps, we selected 100,000 sentence pairs as our final training corpus. The first row of Table 2 summarizes the statistics of the 100,000 sentence-pairs from FBIS data.

### 3.2 Bitext Word Alignments for training data

The alignment templates are based on bitext word alignments on the training data. We obtained word alignments of bitext using IBM-4 translation models trained in each translation direction ( $E \rightarrow C$  and  $C \rightarrow E$ ), and then formed the union of these alignments (Och, 2002).

For IBM-4 model training, we augmented bitext with word-pairs from the LDC Chinese-English dictionary (LDC, 2002). A dictionary entry was added only if both the English and the Chinese words occur in the bitext. Using this criterion, we selected 41,695 dictionary entries and duplicated each entry 10 times (Och and Ney, 2000). IBM-4 translation models were then trained on the resulting training text using the GIZA++ statistical MT toolkit (Och, 2002).

### 3.3 Building the Alignment Template Library

We constructed the library of alignment templates from the bitext word alignments using the *phrase-extract* algorithm reported in Och (2002). This procedure identifies several alignment templates that are consistent with

a Chinese source phrase. To restrict the memory requirements of the model, we extracted only the templates which have at most 5 words in the source phrase. Furthermore, we restricted ourselves to the templates which have a relative frequency greater than 0.01.

We augmented the basic set of templates with three additional types of templates. The first addition consisted of phrasal entries (a Chinese-word mapping to a English phrase) from the LDC dictionary (LDC, 2002). The dictionary entries (10,183 entries) were included in our template library. The second addition was a specialized rule based Chinese-to-English translator for numbers, dates and times. We first tagged numbers in the segmented Chinese text and then translate the numbers after normalizing them to a universal representation. These translations were also included in our template library. The third addition included templates that allow for insertions of selected target words. All the target words were ranked based on their probabilities of zero-fertility in the IBM-4 word fertility model. We then selected the top 20 words from this ranked list. This word list consisted of 20 words that are primarily determiners, such as “a”, “of” and “the”. Following this procedure, we obtained templates based on Chinese words and English words. We then modified the templates to allow all the inflected forms of the English words.

### 3.4 Baseline Language Model for English

We trained a trigram word model from English news text derived from two sources: online archives (Sept 1998 to Feb 2002) of *The People’s Daily* (2002) (16.9M words) and the English side of the Xinhua Chinese-English parallel corpus (NIST, 2003) (4.3M words). The total corpus size was 21M words. We restricted the English vocabulary in this corpus to the English vocabulary of the bitext. The trigram language model used modified Kneser-Ney smoothing and was trained with the SRILM toolkit (Stolcke, 2002). We also created a pruned version of this language model for use in the initial translation lattice generation. This pruning was done by removing n-grams so

	Document Pairs	Sentence Pairs	Unique Sentences		Words		Vocabulary	
			Chinese	English	Chinese	English	Chinese	English
<i>Training</i>								
Chinese Treebank	325	3 464	3 190	3 208	100 361	139 379	10 991	9 239
FBIS	11 537	253 555	232 178	237 207	8 449 546	11 006 282	59 344	52 762
HK Hansards	194	380 437	348 165	352 409	11 487 018	13 752 213	62 001	46 789
HK News	18 147	218 099	190 440	191 952	6 796 094	7 392 625	53 291	48 684
Sinorama	2 373	107 141	106 458	106 949	3 395 656	3 928 678	52 340	53 918
UN	44 754	3 210 712	3 022 758	2 997 876	105 124 525	121 881 108	418 228	204 221
Xinhua	19 140	121 881	118 363	119 705	4 111 915	4 258 744	52 695	59 406
Total	96 470	4 295 289	4 012 454	3 998 255	139 465 115	162 359 029	487 425	275 278
<i>Test</i>								
Dev02	25	206	206		5 582		1 683	
ZBN-Eval02	30	332	332		8 533		2 621	

Table 1: Statistics for the training and test sources.

	Document Pairs	Sentence Pairs	Unique Sentences		Words		Vocabulary	
			Chinese	English	Chinese	English	Chinese	English
Baseline (FBIS)	10 778	100 000	92 161	93 156	3 150 677	4 092 994	38 102	32 453
IR for Dev02*	1 403	100 393	96 382	96 297	2 914 699	3 450 897	39 899	32 443
IR for ZBN-Eval02*	470	96 711	92 447	92 365	2 411 483	2 823 087	34 323	29 699

Table 2: Final Training data statistics for the Baseline and the IR systems. \*Statistics for the document-specific training sets were averaged over all the test documents.

Source Corpus	Dev02	ZBN-Eval02
Chinese Treebank	0	0.02
FBIS	9.84	2.89
HK Hansards	36.36	47.02
HK News	2.96	0.24
Sinorama	2.05	0.35
UN	48.39	49.45
Xinhua	0.39	0.03
Min. sentence-alignment score	0.35	0.35
Min. similarity	0.60	0.68

Table 3: Contribution (%) of sources of sentence-pairs averaged over the documents in each test set.

that perplexity of the pruned model increased by less than 0.000001 relative (Stolcke, 2002).

## 4 The IR based system

We now describe a second translation system that was trained on bitext data selected from the seven bitext sources using information retrieval techniques.

### 4.1 Document Specific training bitexts

For each test document we created a specific bitext training set. We employed a standard Information Retrieval vector model (Baeza-Yates and Ribeiro-Neto, 1999). Chinese documents from the test set and from all training text sources were represented as vectors, and the cosine distance between those vectors represented the degree of similarity between each test document and every training set document. Index terms were both Chinese words and characters (Nie and Ren, 1999); stopwords were not used, and term weights were calculated simply as raw relative frequencies of words in the document.

For each test document the training set was filtered

(Filter2) based on similarity scores, sentence-alignment score (Section 3.1) ( $\leq 0.35$ ) and length ( $> 60$  words). The final training text for each document to be translated contained approximately 100,000 sentence-pairs from the documents with high similarity scores (Tables 2 and 3).

### 4.2 Document Specific Translation Models

In these experiments, we first trained IBM-4 translation models in both translation directions on the training subsets that have been found to be relevant to each test document. We merged the word alignments on the baseline FBIS bitext with the alignments found from the document specific bitext collection, and then extracted alignment templates specialized for each test document. This generated N different template libraries and vocabularies for the N test documents.

### 4.3 Incorporation of Name Entities (NEs)

We used the LDC Chinese-English Name Entity Lists (NIST, 2003) to identify NEs in the test documents. Rather than including the entries from the NE lists in the segmenter lexicon and performing a new word segmentation of Chinese, we took an alternate approach made possible by the ATTM. In our approach, we used all of the data sources (Chinese text segmented) as the “universe”. For each test document, we first retrieved Chinese documents from the universe that had a cosine similarity score greater than 0.65; these were identified as documents that potentially have the same NEs as in the test document. All the English names that appeared in the corresponding English documents were identified using the LDC NE lists, together with all of their possible Chinese translations. We then filtered the resulting list

System	Dev02		ZBN-Eval02	
	BLEU	NIST	BLEU	NIST
FBIS	0.2043	7.2159	0.1600	6.6272
IR (No NE)	0.2137	7.2314	0.1660	6.8628
IR+NE	*	*	0.1758	7.0052

Table 4: Translation Performance. \*The NE dictionary was not added to IR system on Dev02.

by discarding any entry whose Chinese part (as a Chinese character sequence) was not in the retrieved Chinese documents. For those that did appear, we preserved the segmentations from the retrieved documents. This approach allowed us to pick NEs which were not initially segmented as a single word, and to make an NE list that maps a Chinese “phrase” to a single English word. The NE list was finally added to the ATTM as alignment templates (total of 11768 entries). A block diagram of the baseline and the IR systems is shown in Figure 2.

## 5 Translation Performance

We now present the translation performance of the baseline and the IR systems on the two development test sets 4. The translation performance was measured using the BLEU (Papineni et al., 2001) and the NIST MT-eval metrics (Doddington, 2002) using the four reference translation provided for each test sentence. The NIST and BLEU scores were measured using version 9 of the mteval software (NIST, 2003). We note that scaling factors such as Word Insertion Penalty and Grammar Scale factors were chosen appropriately for each test set. Also, the phrase segmentation model was also tuned to each test set. Translation was performed as depicted in Figure 1. The pruned version of the language model was used to generate translation lattices which were then rescored with full language model to generate the final translation.

## 6 Conclusion

We have successfully demonstrated that Information Retrieval techniques can be used to construct training sets for statistical machine translation. Our initial experiments show gains over the baseline system. The IR approach allows us to identify relevant sentence translations as well as translation of name entities. The ATTM training and decoding framework allows a convenient way to incorporate these into the baseline system. Future work will involve refinements to the IR approach and better integration of the constituents into the ATTM framework.

### Acknowledgments

We would like to thank F. J. Och of ISI/USC for useful discussions on the ATTM. We would also like to thank C. Schafer of JHU for providing us the program to compute sentence-alignment scores and E. Drabek of JHU and R. Hwa of UMD for the program to translate Chinese numbers. We thank AT&T Labs - Research for use of the FSM Toolkit.

## References

- Ricardo A. Baeza-Yates and Berthier A. Ribeiro-Neto. 1999. *Modern Information Retrieval*. ACM Press / Addison-Wesley.
- The People’s Daily. 2002. The people’s daily. <http://www.english.people.com.cn>.
- G. Doddington. 2002. Automatic evaluation of machine translation quality using n-gram co-occurrence statistics. In *Proc. of HLT 2002*, San Diego, CA, USA.
1999. *Statistical Machine Translation*. Available at <http://www.clsp.jhu.edu/ws99/projects/mt>.
2001. *Automatic Summarization of Multiple (Multilingual) Documents*. Available at <http://www.clsp.jhu.edu/ws2001/groups/asmd>.
- S. Kumar and W. Byrne. 2003. A weighted finite state transducer implementation of the alignment template model for statistical machine translation. In *Proc. of the Conference on Human Language Technology*, Edmonton, Canada.
- LDC, 2002. *LDC Chinese-English Dictionary and Chinese Segmenter*. <http://www ldc.upenn.edu/Projects/Chinese>.
- M. Mohri, F. Pereira, and M. Riley, 1997. *ATT General-purpose finite-state machine software tools*. <http://www.research.att.com/sw/tools/fsm/>.
- J.Y. Nie and F. Ren. 1999. Chinese information retrieval: using characters or words? *Information Processing and Management*, 35:443–462.
- NIST. 2003. The nist machine translation evaluations. <http://www.nist.gov/speech/tests/mt/>.
- F. Och and H. Ney. 2000. A comparison of alignment models for statistical machine translation. In *Proc. Of 18th Conference On Computational Linguistics*, pages 1086–1090, Saarbrücken, Germany.
- F. Och, C. Tillmann, and H. Ney. 1999. Improved alignment models for statistical machine translation. In *Proc. of the Joint Conf. of Empirical Methods in Natural Language Processing and Very Large Corpora*, pages 20–28, College Park, MD, USA.
- F. Och. 2002. *Statistical Machine Translation: From Single Word Models to Alignment Templates*. Ph.D. thesis, RWTH Aachen, Germany.
- K. Papineni, S. Roukos, T. Ward, and W. Zhu. 2001. Bleu: a method for automatic evaluation of machine translation. Technical Report RC22176 (W0109-022), IBM Research Division.
- A. Stolcke. 2002. SRILM – an extensible language modeling toolkit. In *Proc. of the International Conference on Spoken Language Processing*, pages 901–904, Denver, CO, USA. <http://www.speech.sri.com/projects/srilm/>.